

Assembly instruction guide for Leaf chairs

Models with a headrest (HO)

Slide the headrest into the bracket on the backrest.



Assembly instruction guide for Leaf chairs

Models with a headrest (HO) and a coat hanger (HN)

1. Insert the coat hanger into the bracket and secure it with two screws 16x4 mm, size T20.
2. Slide the headrest into the bracket on the backrest.



Assembly instruction guide for Leaf chairs

Models with a coat hanger (HN)

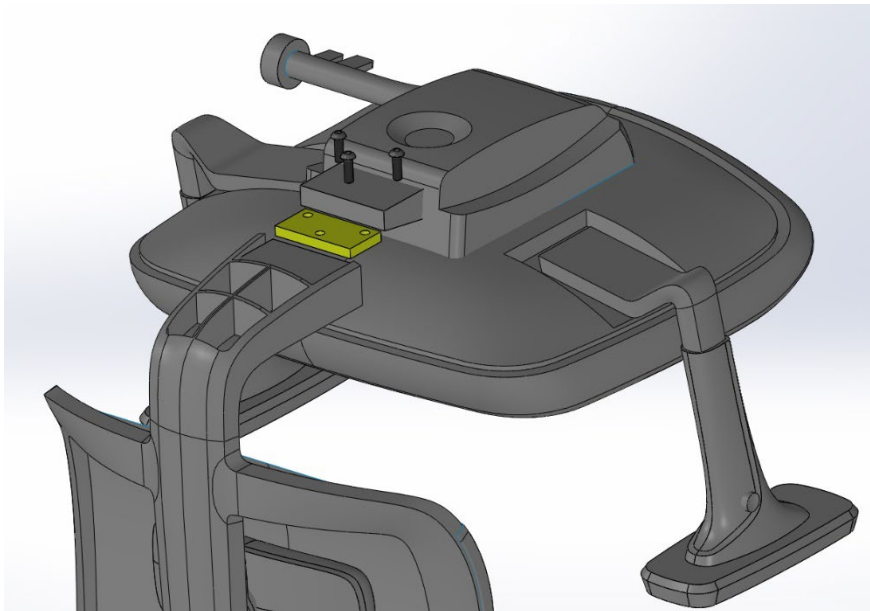
1. Insert the coat hanger into the bracket and secure it with two screws 16x4 mm, size T20.
2. Slide a plastic cover cap into the coat hanger. Take care that the BACK sign is facing out.



Assembly instruction guide for Leaf chairs

Attaching the backrest to the mechanism

1. Put a wooden spacer between the mechanism and backrest (J-Bar).
2. Fasten the backrest to the mechanism with three hexagon socket head screws size 5.



Assembly instruction guide for Leaf chairs

Assembly instructions for the base

1. Attach the castors on the cross.
2. Place the cross wheels down on the floor and insert the piston into the cross.
3. Install the plastic piston cover (if included).
4. Place the seat assembly on the piston.

