



ORGANIX OX 5263

Manufacturer: RIM CZ a.s.

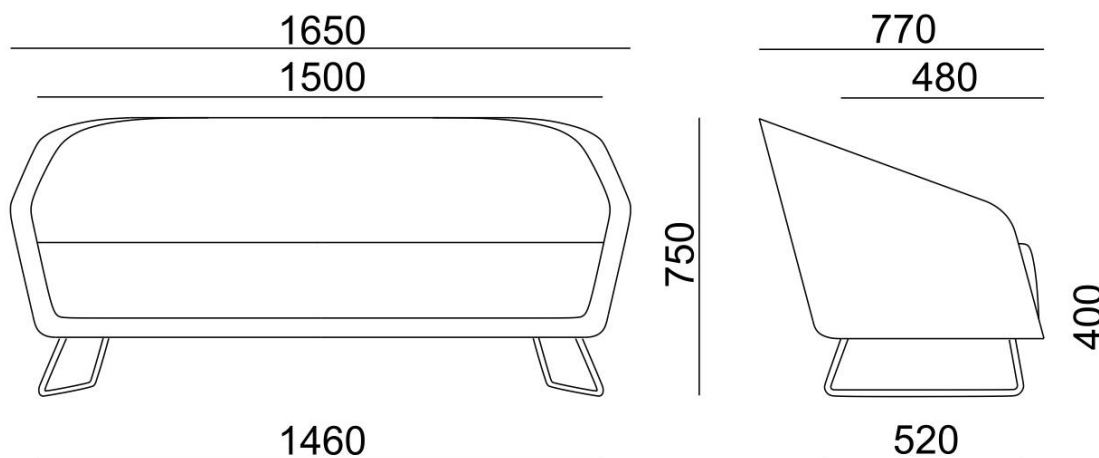
Design: Kai Stania

ORGANIX OX 5263

Fully-upholstered sofa of rounded shape on a metal wire frame, suitable for relaxation zones, waiting areas, lobbies, receptions or it may serve as meeting place for office areas and home offices.

Design	The sofa structure is made of wooden squared timbers and pressed wooden sandwiches upholstered with PUR foam of various thickness and bulk weight. The seat is filled with PUR foam of 110 mm in thickness and bulk weight of 55kg/m ³ . Seat, backrest and armrest are covered with fabric or leather.
Frame	The supporting frame is made of steel wire with 16 mm in diameter. Bent and welded to a steel strip with a cross-section of 60 x 5mm, forming one unit firmly screwed to the armchair from the lower face of the seating system.
Upholstery	To be selected from fabric or leather collection.
Options	<ul style="list-style-type: none">• Chrome surface treatment
Warranty	5 years (see Business conditions)

Dimensions (in mm)



Concept ORGANIX



OX 5261

OX 5262