

ZERO G



ZERO G ZG 1351

Manufacturer: RIM CZ a.s.

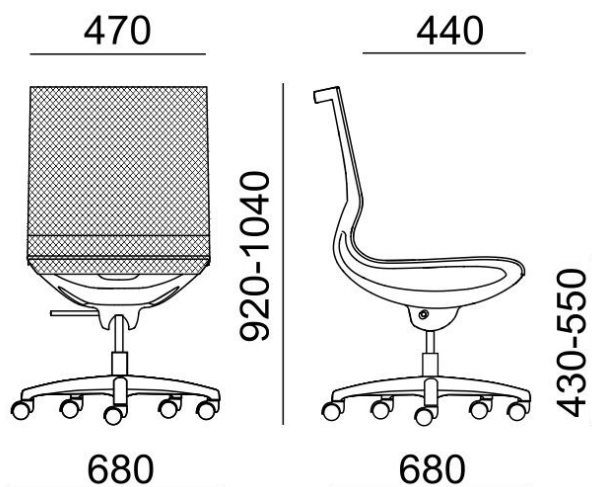
Design:Stefano Sandonà a Sabrina Bettini

ZERO G ZE 1351

Swivel office chair with lightweight plastic structure. An ultralight chair thanks to its materials and elegant shapes. Zero-G is available with or without integrated armrests in black or white plastic design.

Mechanism	Height-adjustable rocking mechanism with possibility of locking in basic position.
Features	The frame of chair is made of polyamide, glass fibres are added to increase firmness.
Upholstery	The chair is upholstered with breathable mesh Shrinx with high firmness. Mesh material – 70 % polyester, 30 % polyamide. Mesh colours to be selected from fabric collection.
Base	Five-star stable base \varnothing 68 cm, made of polyamide. Black gas spring.
Castors	Hard or soft double castors of \varnothing 60 mm, black, braked – depending on the load, for soft or hard floor surface (as per DIN EN 12529). The chair does not move when released which reduces the risk of an accident.
Options	<ul style="list-style-type: none">• White plastic design• Polished aluminium base, RAL 9006 or white plastic• Soft double castors of \varnothing 60 mm, black, braked – depending on the load, for soft or hard floor surface (as per DIN EN 12529)• Castors with chrome ring for soft or hard floor• Castors with white ring for soft or hard floor• High glides (60 mm)• High glides (60 mm) with felt pad
Warranty	5 years (see Business conditions).

Dimensions (in mm)



Concept ZERO G



ZG 1352



ZG 1351



ZG 1354



ZG 1353