

ZERO G



ZERO G ZG 1353

Manufacturer: RIM CZ a.s.

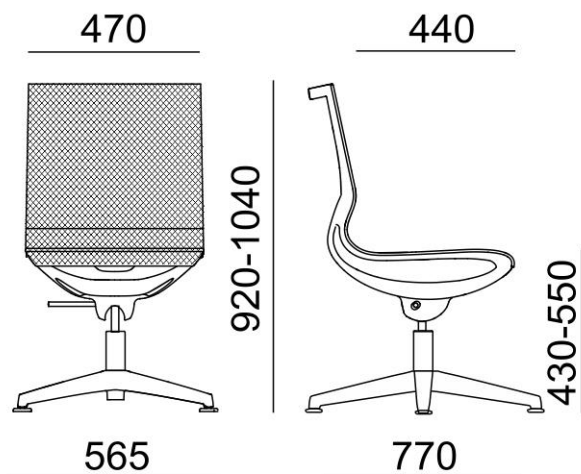
Design:Stefano Sandonà a Sabrina Bettini

ZERO G ZE 1353

Swivel office chair with lightweight plastic structure. An ultralight chair thanks to its materials and elegant shapes. Zero-G is available with or without integrated armrests in black or white plastic design.

Mechanism	Height-adjustable rocking mechanism with possibility of locking in basic position.
Features	The frame of chair is made of polyamide, glass fibres are added to increase firmness.
Upholstery	The chair is upholstered with breathable mesh Shrinx with high firmness. Mesh material – 70 % polyester, 30 % polyamide. Mesh colours to be selected from fabric collection.
Base	Four-star polished aluminium base with low chrome glides for hard and soft floor. Chrome gas spring.
Options	<ul style="list-style-type: none">• White plastic design.
Warranty	5 years (see Business conditions).

Dimensions (in mm)



Concept ZERO G



ZG 1352



ZG 1351



ZG 1354



ZG 1353