

KAIK OFFICE CHAIR

enea

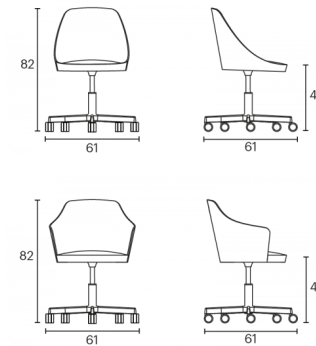
BY Estudi Manel Molina



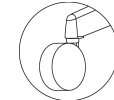
Structures

- Curved, high-frequency moulded oak plywood shell and E-1 adhesive
- Screw-nut metallic joints
- 5-spoke die-cast aluminium

Measures



Accessories



Chromed
castors

The shell of Kaiak office chair, available with or without arms, is made of natural or stained oak wood and has a broad range of upholstery options available: fully upholstered, upholstered seat, three quarters upholstered and inside upholstery. Its 5-star base can be lacquered in any of our colours.

[Click here to see all the finishes of Kaiak office chair](#)