

WINX BAR STOOL



FLEXi WX 882.27

Manufacturer: RIM CZ a.s.

Design: Kai Stania

Rim

WINX BAR STOOL

Bar stool built on a wooden or metal base. Design has the same features as previous WINX products. The backrest guarantees support in a lower back area.

-
- Design**
- Shell consists of two parts:
- The seat is a 11-layer beech moulding of 12 mm in thickness, veneer is 1,1 mm thick. It is upholstered with PUR foam thickness of 50 mm and bulk weight 50 kg/m³.
 - The backrest is an individual part firmly attached to the seat, comprised of wire frame with polyurethane filling. The hardness of polyurethane foam (filling) is about 70 kg/m³

Seat

.27 – the frame structure consists of tubes with Ø18x2mm, welded together with the footrest, consisting of a bar with 16 mm in diameter, into one unit. Powder coating surface treatment per RAL. Other colours (RAL) on request. Plastic glides.

OPTION:

- Plastic glides with felt pads

- **.24** – wooden base made of squared timbers with cross-section 30/50 mm, oak or ash material, painted with clear polyurethane lacquer.

Metal footrest, consisting of a bar with 16mm in diameter, black colour.

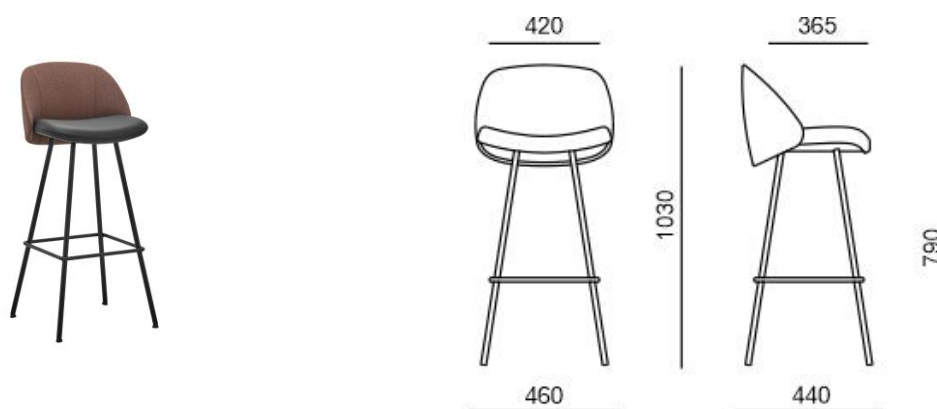
OPTION:

- Metal footrest – chrome design
- Plastic glides with felt pads

Upholstery To be selected from fabric collection.

Warranty 5 years (see Business conditions)

Dimensions



WX 882.27

WINX BAR STOOL



WX 882.24

