



WINX WX 880.15

Manufacturer: RIM CZ a.s.

Design: Kai Stania

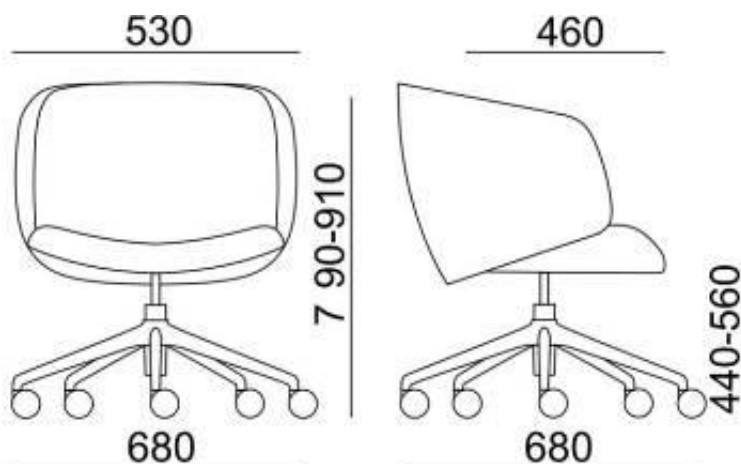
WINX WX 880.15

Modern, fully-upholstered armchair of rounded shape with armrests designed for relaxation zones, home offices, waiting areas, entrance halls and receptions.

The great advantage is the combination of various materials and colours of upholstery.

Design	Shell consists of 2 parts: <ul style="list-style-type: none">• The seat is a 13-layer beech moulding of 14 mm in thickness, veneer is 1.1 mm thick. It is upholstered with PUR foam thickness of 50 mm and bulk weight 50 kg/m³.• The backrest is an individual part firmly attached to the seat, comprised of wire frame with polyurethane filling. The hardness of polyurethane foam is about 70 kg/m³.
Base	Swivel mechanism with height-adjustable gas spring and five-star conical aluminium base. Five-star base – black, plastic polyamide, black gas spring. A large diameter of the base (680 mm) guarantees a very good stability against overturning. Other variants of the base: white plastic or cast polished aluminium.
Castors	Braked castors of \varnothing 60 mm for soft or hard floor.
Options	<ul style="list-style-type: none">• Castors with chrome ring for hard and soft floor.• Castors with white ring for soft and hard floor.
Upholstery	To be selected from fabric collection.
Warranty	5 years (see Business conditions).

Dimensions (in mm)



Concept WINX



WX 880.01



WX 880.03



WX 880.04



WX 880.06



WX 880.11