



WINX WX 880.04

Manufacturer: RIM CZ a.s.

Design: Kai Stania

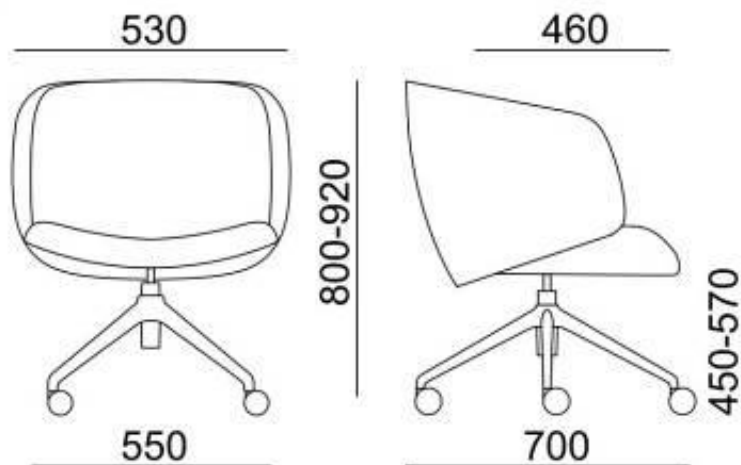
WINX WX 880.04

Modern, fully-upholstered armchair of rounded shape with armrests designed for relaxation zones, home offices, waiting areas, entrance halls and receptions.

The great advantage is the combination of various materials and colours of upholstery.

Design	Shell consists of 2 parts: <ul style="list-style-type: none">• The seat is a 13-layer beech moulding of 14 mm in thickness, veneer is 1,1 mm thick. It is upholstered with PUR foam thickness of 50 mm and bulk weight 50 kg/m³.• The backrest is an individual part firmly attached to the seat, comprised of wire frame with polyurethane filling. The hardness of polyurethane foam is about 70 kg/m³.
Base	Swivel mechanism with height-adjustable gas spring and four-star conical aluminium base. Polished aluminium base and chrome gas spring. A large diameter of the base (700 mm) guarantees a very good stability against overturning.
Castors	Braked castors of \varnothing 60 mm for hard or soft floor.
Options	<ul style="list-style-type: none">• Castors with chrome ring for soft or hard floor.• Universal glides for soft or hard floor.
Upholstery	To be selected from fabric collection.
Warranty	5 years (see Business conditions).

Dimensions (in mm)



Concept WINX



WX 880.01



WX 880.03



WX 880.06



WX 880.11



WX 880.15