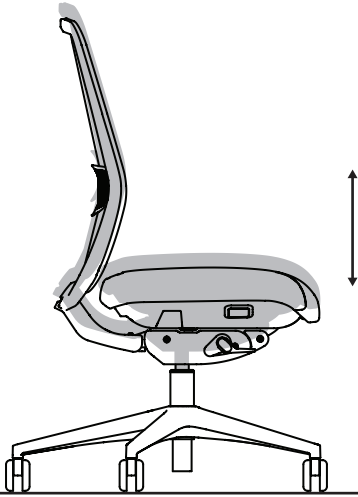


EIRA

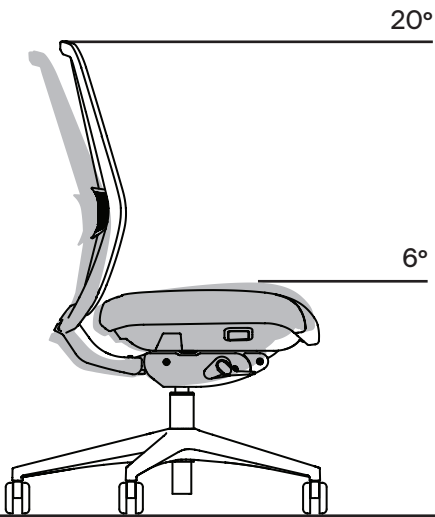
User manual



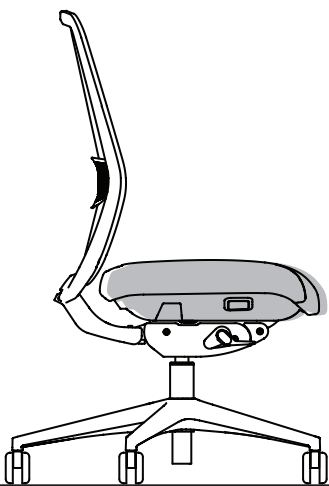
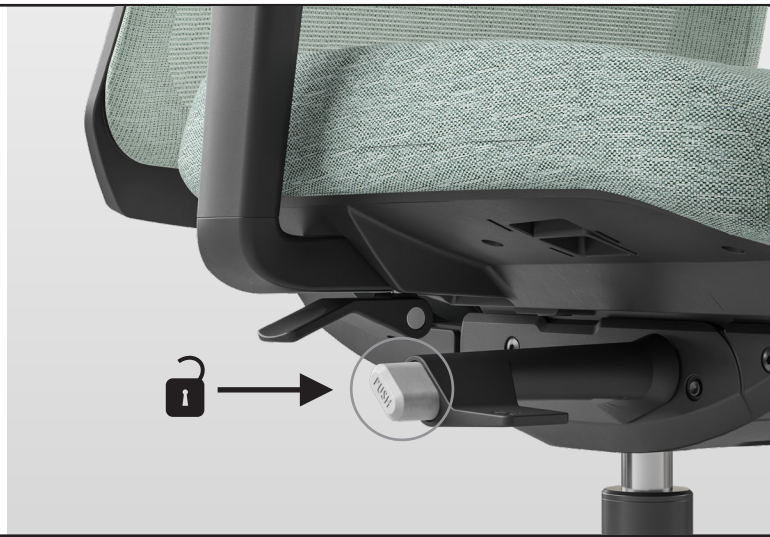
2D (two directions) adjustable armrests
3D (three directions) adjustable armrests



Seat height adjustment 120 mm

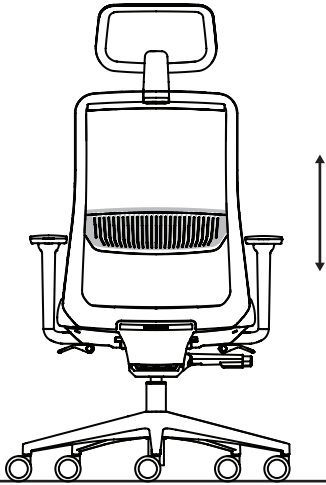


Backrest locking in 5 positions

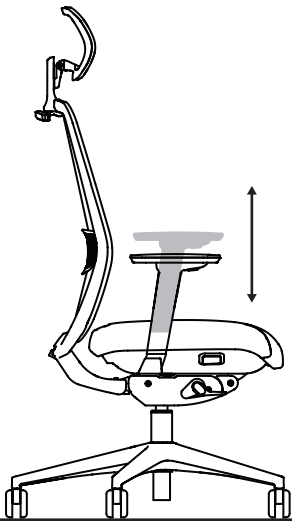


Seat depth adjustment





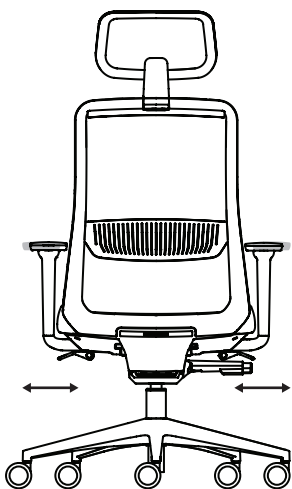
Height-adjustable lumbar support



2D and 3D adjustable armrests

Height adjustment at the armrest carrier

60 mm run range

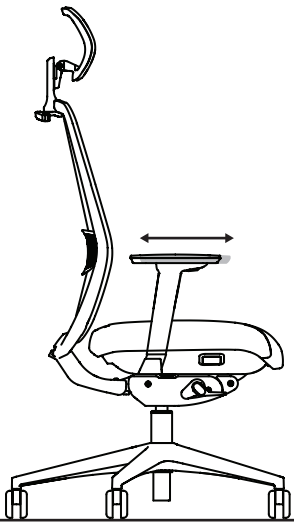


2D, 3D adjustable armrests

Width adjustment via the armrest lever

70 mm run range

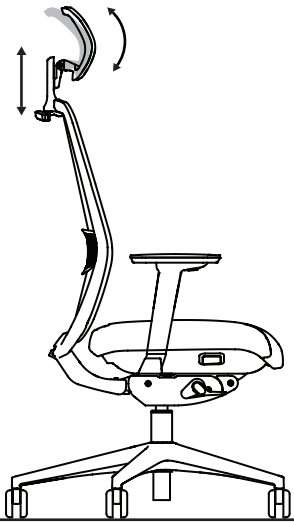




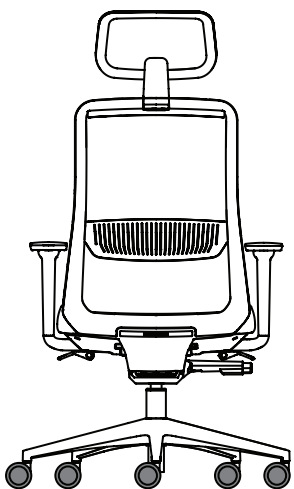
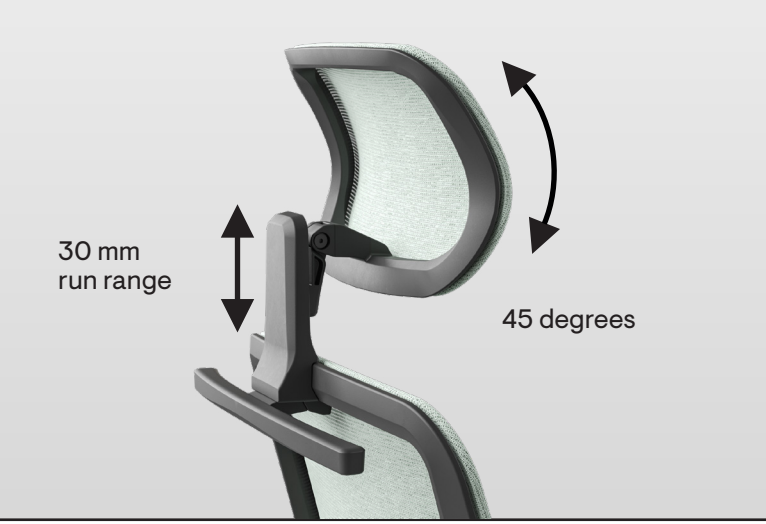
3D adjustable armrests



Pad adjustment forward and backward



Headrest height and angle adjustment



Self-braking castors



for soft floor



for hard floor

Note. Self-braking chair castors activate the integrated friction brake and stop moving when the chair is unused (no weight applied to the seat).

Other documents available for this product

Technical information for EIRA task chairs
NARBUTAS product care guide